

1

External Vibrators

BRECON External Vibrators

6000rpm, IP65



18 212

6000rpm, 200Hz												
Part Number	Mechanical Centrifugal force [kN]	Electrical			Dimensions							
		Voltage [V]	Power input [kW]	Rated current [A]	L x W x H [mm]	h	l	b	d	m	Weight [Kg]	Picture
18 212 203	8,0	250	0,68	2,10	260 x 160 x 165	90	90	125	4x13	60	9	C
18 212 209	8,0	42	0,68	12,60	260 x 160 x 165	90	90	125	4x13	60	9	C
18 220 203	10,0	250	1,00	3,20	295 x 190 x 185	100	90	154	4x13	70	15	C
18 220 209	10,0	42	1,00	19,00	295 x 190 x 185	100	90	154	4x13	70	15	C
18 220 251*	10,0	250	1,00	3,20	295 x 147 x 185	100	65	125	4x13	70	15	C
18 221 203	12,0	250	1,20	3,60	295 x 190 x 185	100	90	154	4x13	70	15	C
18 221 251*	12,0	250	1,20	3,60	295 x 147 x 185	100	65	125	4x13	70	15	C
18 221 205	14,0	250	1,20	3,60	295 x 190 x 185	100	90	154	4x12	70	15	C
18 221 209	14,0	42	1,20	21,50	295 x 190 x 185	100	90	154	4x13	70	15	C
18 221 210*	14,0	42	1,20	21,50	295 x 147 x 185	100	120	120	4x14	70	15	C
18 221 207*	14,0	250	1,20	3,60	295 x 147 x 185	100	65	125	4x15	70	15	C
18 215 203	16,0	250	2,00	5,70	350 x 250 x 220	125	100	200	4x17	90	27	C
18 217 203	18,0	250	2,40	7,50	370 x 250 x 220	125	100	200	4x17	90	27	C
18 218 203	20,0	250	2,60	7,90	370 x 250 x 220	125	100	200	4x17	90	27	C

*Slim version

BRECON External Vibrators

6000rpm, IP65



6000rpm, 100Hz												
Part Number	Mechanical Centrifugal force [kN]	Electrical			Dimensions							
		Voltage [V]	Power input [kW]	Rated current [A]	L x W x H [mm]	h	l	b	d	m	Weight [Kg]	Picture
18 221 351*	12,0	380	0,6	2,3	295 x 147 x 185	100	65	125	4x13	70	15	C
18 221 305	14,0	380	0,6	2,3	295 x 190 x 185	100	90	154	4x13	70	15	C
18 221 307*	14,0	380	0,6	2,3	295 x 147 x 185	100	120	120	4x17	70	15	C

*Slim version

BRECON External Vibrators

9000/10800rpm, IP65



18 219

9000rpm, 150Hz

Part Number	Mechanical Centrifugal force [kN]	Electrical			Dimensions								
		Voltage [V]	Power Input [kW]	Rated current [A]	L x W x H [mm]		h	l	b	d	m	Weight [Kg]	Picture
18 219 212	10 (8)*	42	1,20	18,3	295 x 190 x 185		100	90	154	4x13	70	14	C
18 213 112	16 (13,5)*	42	1,80	28	350 x 250 x 220		125	100	200	4x17	90	25	C

10800rpm, 180Hz

18 216 015	18 (15)*	230	2,80	8,1	370 x 250 x 220		125	100	200	4x17	90	26	C
18 219 215	10 (8)*	230	1,20	4,3	295 x 190 x 185		100	90	154	4x13	70	16	C

*Values in parentheses are recommended for use of 8 hours or more

BRECON External Vibrators

12000rpm, IP65



18 219

12000rpm, 200Hz

Part Number	Mechanical Centrifugal force [kN]	Electrical			Dimensions								
		Voltage [V]	Power input [kW]	Rated current [A]	L x W x H [mm]		h	l	b	d	m	Weight [Kg]	Picture
18 219 203	10 (8,0)*	250	1,50	4,10	295 x 190 x 185		100	90	154	4x13	70	14	C
18 213 103	14 (12,5)*	250	2,40	6,50	350 x 250 x 220		125	100	200	4x17	90	26	C
18 216 203	18 (15,0)*	250	3,10	8,20	370 x 250 x 220		125	100	200	4x17	90	26	C

*Values in parentheses are recommended for use of 8 hours or more

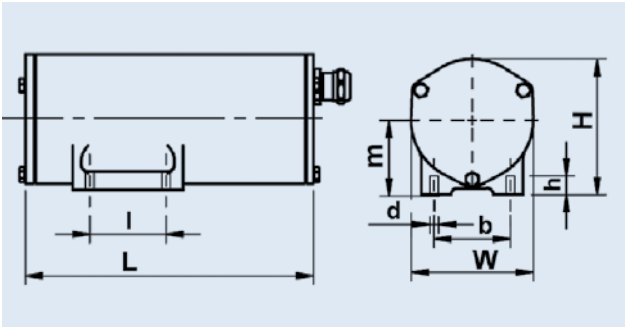
BRECON Accessories**Special Bearing Grease**

Part Number	Quantity	Remarks
EW 560 / 23 14	0,25 kg tube	Special bearing grease (from -15°C to 100°C short-time 120°C)
EW 560 / 23 52	400 g cartridge	
EW 560 / 23 30	1 kg can	High-temperature bearing Grease (up to 170°C)

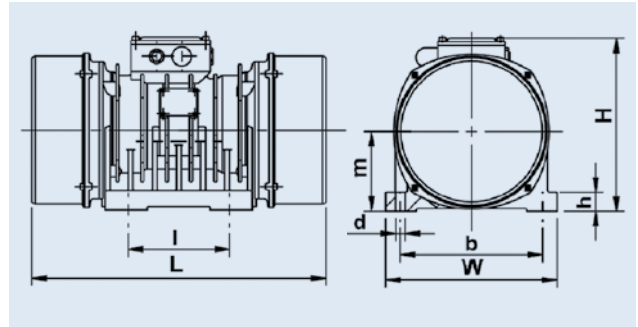
**Grease Gun**

Part Number	Remarks
EW 560 / 24 70	Grease gun with hollow and pointed nozzles

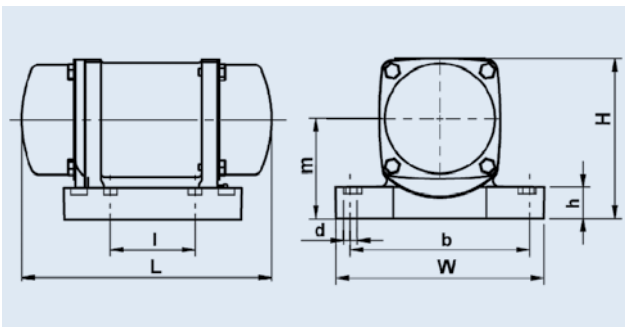
Picture A



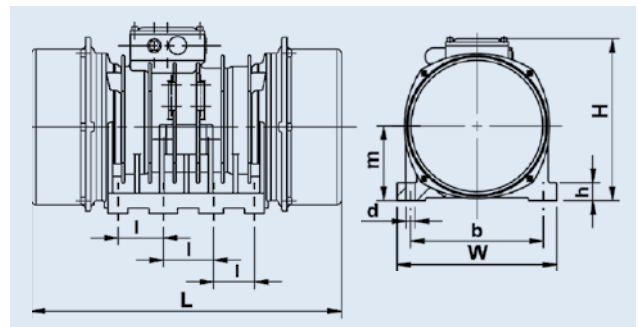
Picture D



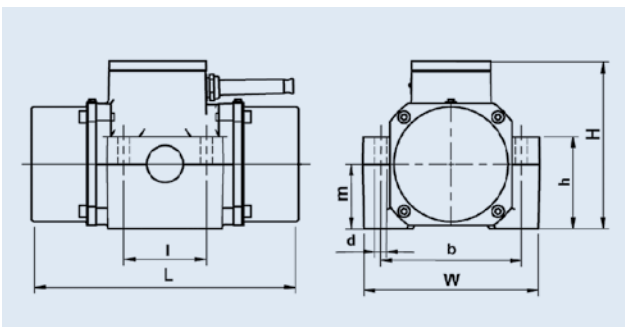
Picture B



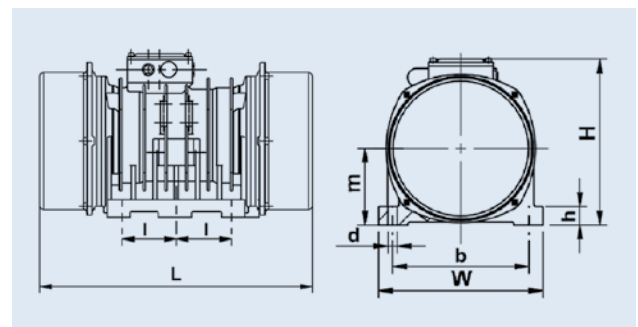
Picture E



Picture C



Picture F





BRECON

Vibrationstechnik GmbH

P.O. Box 45 01 69
D-50876 Cologne

Telephone +49 [0] 221 9 54 42 70
Telefax +49 [0] 221 9 54 42 77

info@brecon-vibration.com
www.brecon-vibration.com