

## 1

## External Vibrators

## BRECON External Vibrators

6000rpm, IP65



18 212

6000rpm, 200Hz												
Part Number	Mechanical Centrifugal force [kN]	Electrical			Dimensions							
		Voltage [V]	Power input [kW]	Rated current [A]	L x W x H [mm]	h	l	b	d	m	Weight [Kg]	Picture
18 212 203	8,0	250	0,68	2,10	260 x 160 x 165	90	90	125	4x13	60	9	C
18 212 209	8,0	42	0,68	12,60	260 x 160 x 165	90	90	125	4x13	60	9	C
18 220 203	10,0	250	1,00	3,20	295 x 190 x 185	100	90	154	4x13	70	15	C
18 220 209	10,0	42	1,00	19,00	295 x 190 x 185	100	90	154	4x13	70	15	C
18 220 251*	10,0	250	1,00	3,20	295 x 147 x 185	100	65	125	4x13	70	15	C
18 221 203	12,0	250	1,20	3,60	295 x 190 x 185	100	90	154	4x13	70	15	C
18 221 251*	12,0	250	1,20	3,60	295 x 147 x 185	100	65	125	4x13	70	15	C
18 221 205	14,0	250	1,20	3,60	295 x 190 x 185	100	90	154	4x12	70	15	C
18 221 209	14,0	42	1,20	21,50	295 x 190 x 185	100	90	154	4x13	70	15	C
18 221 210*	14,0	42	1,20	21,50	295 x 147 x 185	100	120	120	4x14	70	15	C
18 221 207*	14,0	250	1,20	3,60	295 x 147 x 185	100	65	125	4x15	70	15	C
18 215 203	16,0	250	2,00	5,70	350 x 250 x 220	125	100	200	4x17	90	27	C
18 217 203	18,0	250	2,40	7,50	370 x 250 x 220	125	100	200	4x17	90	27	C
18 218 203	20,0	250	2,60	7,90	370 x 250 x 220	125	100	200	4x17	90	27	C

\*Slim version

## BRECON External Vibrators

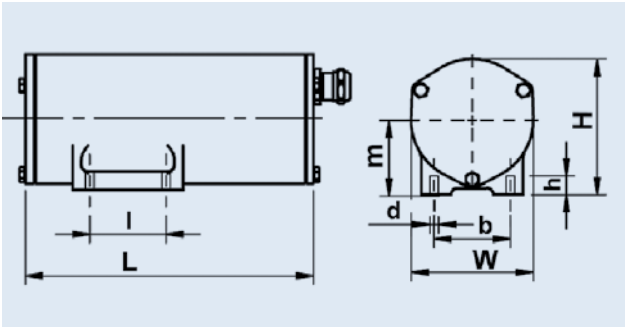
6000rpm, IP65



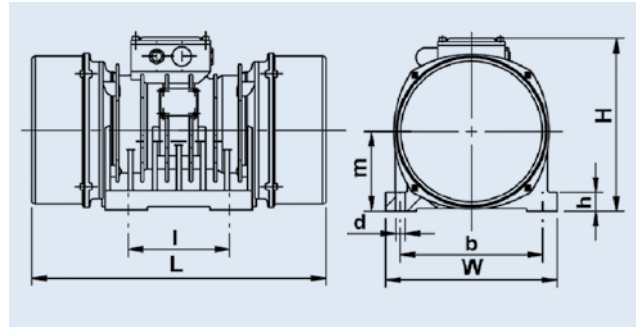
6000rpm, 100Hz												
Part Number	Mechanical Centrifugal force [kN]	Electrical			Dimensions							
		Voltage [V]	Power input [kW]	Rated current [A]	L x W x H [mm]	h	l	b	d	m	Weight [Kg]	Picture
18 221 351*	12,0	380	0,6	2,3	295 x 147 x 185	100	65	125	4x13	70	15	C
18 221 305	14,0	380	0,6	2,3	295 x 190 x 185	100	90	154	4x13	70	15	C
18 221 307*	14,0	380	0,6	2,3	295 x 147 x 185	100	120	120	4x17	70	15	C

\*Slim version

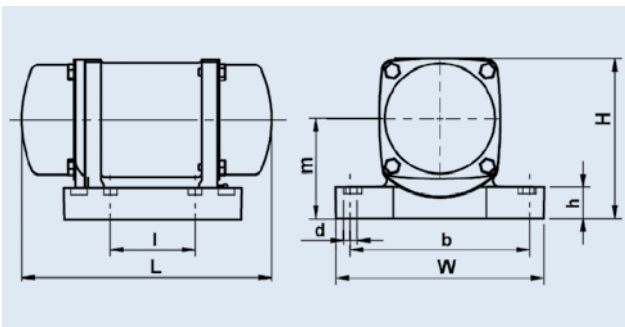
Picture A



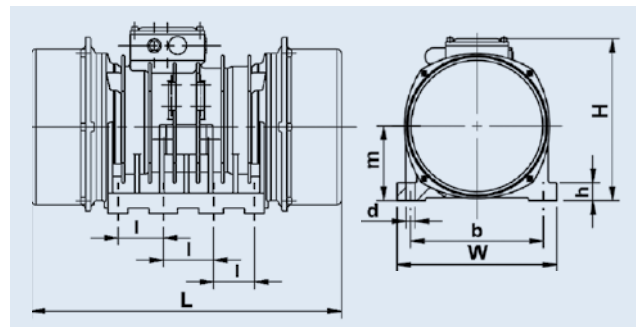
Picture D



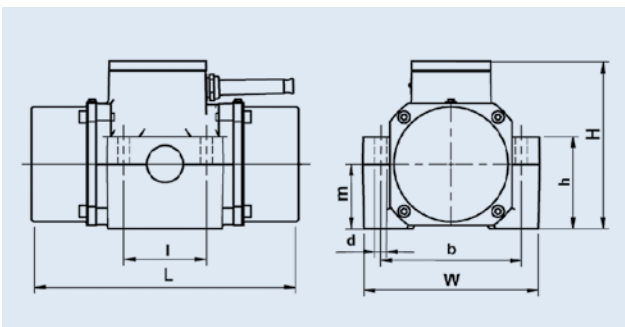
Picture B



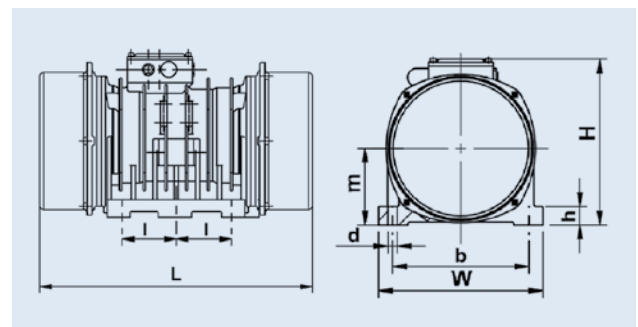
Picture E



Picture C



Picture F





# **BRECON**

## Vibrationstechnik GmbH

P.O. Box 45 01 69  
D-50876 Cologne

Telephone +49 [0] 221 9 54 42 70  
Telefax +49 [0] 221 9 54 42 77

[info@brecon-vibration.com](mailto:info@brecon-vibration.com)  
[www.brecon-vibration.com](http://www.brecon-vibration.com)